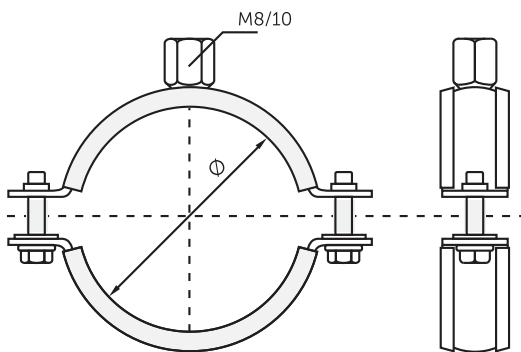


Rubber-Lined Pipe Clamps

Description

Dual tapped boss (M8/M10) rubber-lined pipe clamps, with washer to prevent fixing screw dropping out for quicker installations. Zinc-plated product with quality black EPDM rubber lining.



Specification

Product Code	Ø Clamp Range	Thickness	Width	Weight	Safe working load traction	Breaking load in traction	Box Qty
10405	14-19mm	1.2mm	20mm	51g	1200N	3600N	90
10410	20-25mm	1.2mm	20mm	54g	1200N	3600N	80
10415	26-31mm	1.2mm	20mm	57g	1200N	3600N	70
10420	32-36mm	1.2mm	20mm	64g	1200N	3600N	55
10425	38-43mm	1.2mm	20mm	69g	1200N	3600N	50
10430	47-51mm	1.2mm	20mm	77g	1200N	3600N	60
10435	53-58mm	1.2mm	20mm	82g	1200N	3600N	50
10440	60-64mm	1.2mm	20mm	86g	1200N	3600N	50
10445	75-80mm	1.5mm	20mm	108g	1200N	3600N	45
10450	107-112mm	1.5mm	20mm	144g	1200N	3600N	30