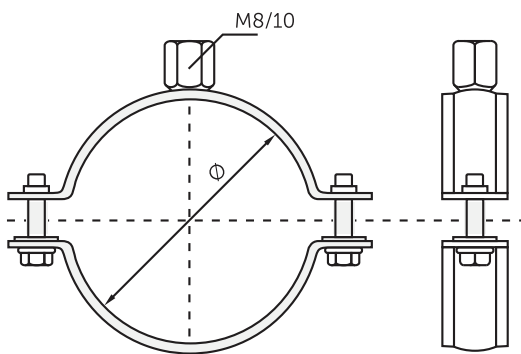


Unlined Pipe Clamps

Description

Dual tapped boss (M8/M10) unlined pipe clamps, with washer to prevent fixing screw dropping out for quicker installations. Zinc-plated mild steel.



Specification

Product Code	Ø Clamp Range	Thickness	Width	Weight	Safe working load traction	Breaking load in traction	Box Qty
10455	26-30mm	1.2mm	20mm	57g	1200N	3600N	90
10460	32-36mm	1.2mm	20mm	64g	1200N	3600N	85
10465	38-43mm	1.2mm	20mm	69g	1200N	3600N	70
10470	47-51mm	1.2mm	20mm	77g	1200N	3600N	80
10475	53-58mm	1.2mm	20mm	82g	1200N	3600N	80
10480	59-65mm	1.2mm	20mm	86g	1200N	3600N	70
10485	68-72mm	1.2mm	20mm	90g	1200N	3600N	70
10490	75-80mm	1.5mm	20mm	108g	1200N	3600N	60
10495	81-86mm	1.5mm	20mm	116g	1200N	3600N	60
10500	87-93mm	1.5mm	20mm	126g	1200N	3600N	60
10505	96-103mm	1.5mm	20mm	132g	1200N	3600N	50
10510	104-112mm	1.5mm	20mm	144g	1200N	3600N	35