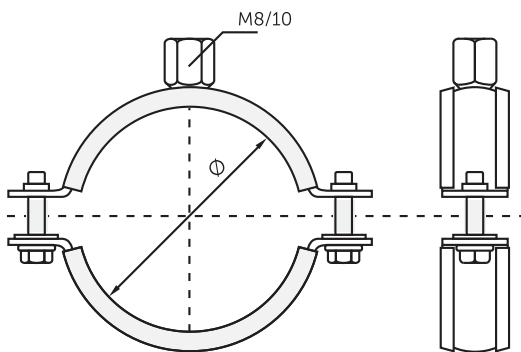


## Rubber-Lined Pipe Clamps

### Description

Dual tapped boss (M8/M10) rubber-lined pipe clamps, with washer to prevent fixing screw dropping out for quicker installations. Zinc-plated product with quality black EPDM rubber lining.



### Specification

Product Code	Ø Clamp Range	Thickness	Width	Weight	Safe working load traction	Breaking load in traction	Box Qty
R511-018	15-19mm	1.2mm	20mm	51g	1200N	3600N	90
R511-022	20-25mm	1.2mm	20mm	54g	1200N	3600N	80
R511-028	26-30mm	1.2mm	20mm	57g	1200N	3600N	70
R511-035	32-36mm	1.2mm	20mm	64g	1200N	3600N	55
R511-040	38-42mm	1.2mm	20mm	69g	1200N	3600N	50
R511-048	47-51mm	1.2mm	20mm	77g	1200N	3600N	60
R511-054	53-58mm	1.2mm	20mm	82g	1200N	3600N	50
R511-060	60-64mm	1.2mm	20mm	86g	1200N	3600N	50
R511-075	75-80mm	1.5mm	20mm	108g	1200N	3600N	45
R511-110	107-112mm	1.5mm	20mm	144g	1200N	3600N	30