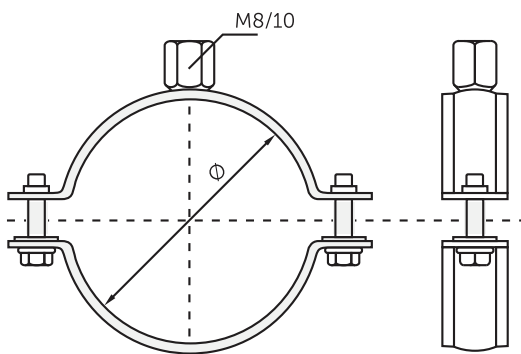


Unlined Pipe Clamps

Description

Dual tapped boss (M8/M10) unlined pipe clamps, with washer to prevent fixing screw dropping out for quicker installations. Zinc-plated mild steel.



Specification

Product Code	Ø Clamp Range	Thickness	Width	Weight	Safe working load traction	Breaking load in traction	Box Qty
R531-028	26-30mm	1.2mm	20mm	57g	1200N	3600N	90
R531-035	32-36mm	1.2mm	20mm	64g	1200N	3600N	85
R531-040	38-42mm	1.2mm	20mm	69g	1200N	3600N	70
R531-048	47-51mm	1.2mm	20mm	77g	1200N	3600N	80
R531-054	53-58mm	1.2mm	20mm	82g	1200N	3600N	80
R531-060	60-64mm	1.2mm	20mm	86g	1200N	3600N	70
R531-070	68-72mm	1.2mm	20mm	90g	1200N	3600N	70
R531-075	75-80mm	1.5mm	20mm	108g	1200N	3600N	60
R531-083	80-86mm	1.5mm	20mm	116g	1200N	3600N	60
R531-090	87-92mm	1.5mm	20mm	126g	1200N	3600N	60
R531-100	99-105mm	1.5mm	20mm	132g	1200N	3600N	50
R531-110	107-112mm	1.5mm	20mm	144g	1200N	3600N	35