

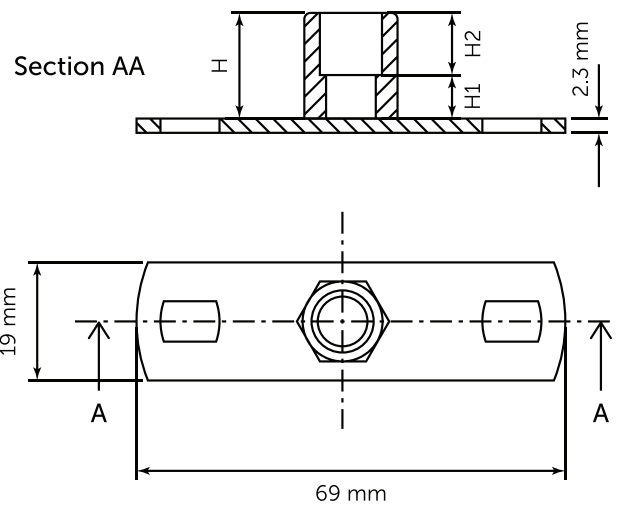
M8/M10 Dual Tapped Back Plates BZP Female



Product Code: R641-108

Description

Female threaded dual-tapped BZP backplate, with two fixing holes.

Properties	
Thread Size	M8/M10
Width	69mm
Depth	19mm
Height	19.3mm
H	17mm
H1	7mm
H2	10mm
Max Recommended Load	100kg
Slot size	9.5 x 6.5mm
Box Qty	100



Material	Coating
 A Steel	 Z ZINC Pre-Galvanised Zinc-plated $\geq 19\mu\text{m}$