

## TekSpan® 3-Hole Angle Bracket Cross Mount

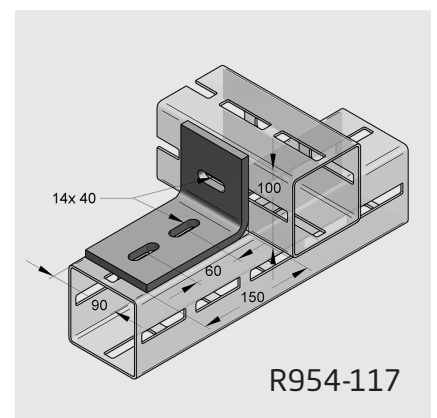
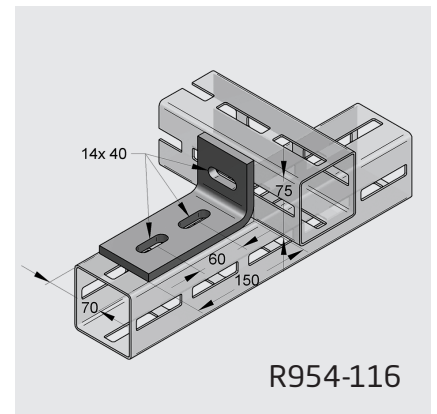
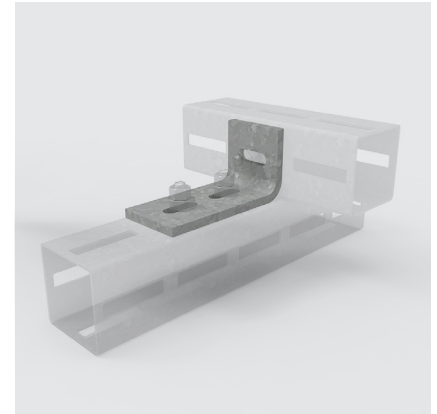
Product Code: R954-116 / R954-117

### Description

TekSpan® 90° 3 Hole Angle Cross-Bracket for 80mm and 100mm profiles.  
Cross-mount bracket, allowing for longitudinal adjustment when installing.

### Technical Details

| Product Code       | R954-116   | R954-117   |
|--------------------|------------|------------|
| Pack Qty           | 1          | 1          |
| Weight             | 1.13kg/pc  | 1.68kg/pc  |
| Material           | Steel S235 | Steel S235 |
| Finish             | HDG        | HDG        |
| Profile type       | 80mm       | 100mm      |
| Length wing 1      | 150mm      | 150mm      |
| Length wing 2      | 75mm       | 100mm      |
| Width              | 70mm       | 90mm       |
| Material thickness | 9mm        | 10mm       |
| Slot size          | 14x40mm    | 14x40mm    |
| Load Fx            | 5.2kN      | 6.0kN      |
| Load Fz            | 16.0kN     | 20.0kN     |
| Limited torque     | 0.4kNm     | 0.5kNm     |
| Angle              | 90°        | 90°        |



### Certifications

