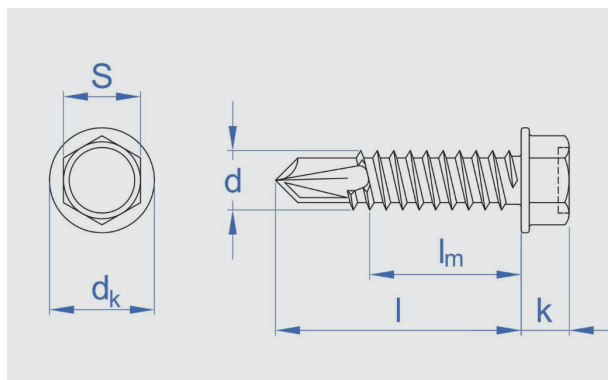


Light Duty Hex Head Self Drill Screw



Product Code: U501-308

Description

4.8 x 16mm self-drilling screw with a flanged hex head.



Product Code	U501-308
Washer head diameter (d_k)	10mm
Head thickness (k)	4.3mm
Socket size (S)	8mm
Thread diameter (d)	4.8mm
Length (l)	16mm
Maximum fixture thickness	5.5mm
Tension Load	7.11kN
Shear Load	3.56kN

Material	Coating
 Steel	 Zinc-plated