

TekSpan® Pipe Holder Set

Product Code: R954-140 / R954-145

Description

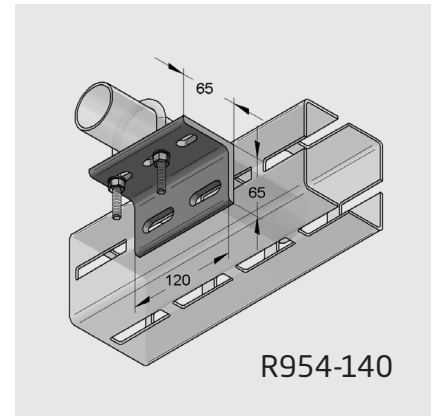
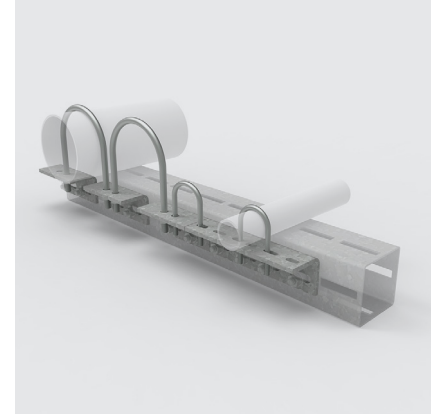
TekSpan® Pipe Holder - for 21.3-76.1mm and 88.9-219.1mm pipes.

For mounting U-bolts directly on a TekSpan® square profile.

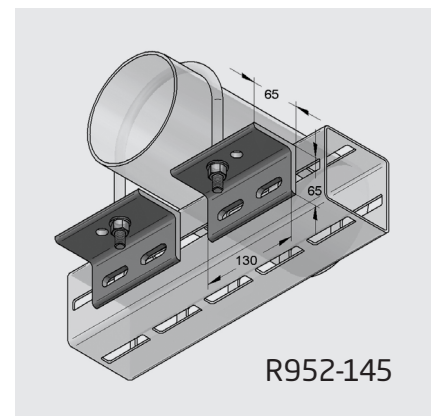
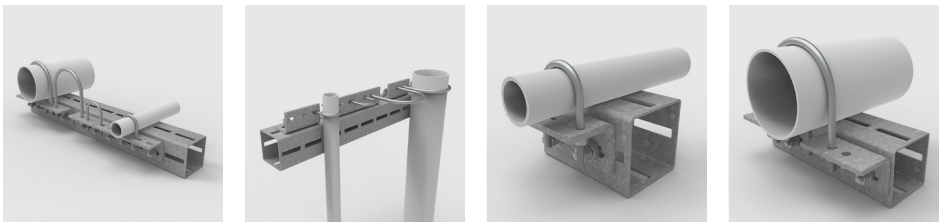
Supplied in a set of 2 angle plates.

Technical Details

Product Code	R954-140	R954-145
Pack Qty	1 Set	1 Set
Weight	0.81kg/set	1.80kg/set
Material	Steel S235	Steel S235
Finish	HDG	HDG
Profile type	80mm / 100mm	80mm / 100mm
Length wing 1	65mm	65mm
Length wing 2	65mm	65mm
Width	120mm	130mm
Material thickness	7mm	7mm
Slot size	14x40mm	14x40mm
Angle	90°	90°



Configurations



Certifications

